



**DVI to HD-SDI
Conversion Box**
USER MANUAL

ASKING FOR ASSISTANCE

Technical Support:

Telephone (818) 772-9100
(800) 545-6900

Fax (818) 772-9120

Technical Support Hours:

8:00 AM to 5:00 PM Monday thru Friday.

Write To:

Gefen, Inc.
c/o Customer Service
20600 Nordhoff Street
Chatsworth, CA 91311

www.gefen.com
support@gefen.com

Notice

Gefen Inc. reserves the right to make changes in the hardware, packaging and any accompanying documentation without prior written notice.

The DVI to HD-SDI Conversion Box is a trademark of Gefen Inc.

© 2006 Gefen Inc., All Rights Reserved
© 2005 Gefen Inc., All Rights Reserved

TABLE OF CONTENTS

- 1 Introduction
- 2 Operation Notes
- 3 Panel Descriptions
- 4 Supported Input/Output Resolutions/OSD and Infrared Remote Functions
- 5 RMT-4IR Installation
- 6 Wiring of the RS422-RS232 Cable
- 7 Firmware Update Procedure
- 8 Specifications
- 9 Warranty

INTRODUCTION

Gefen's DVI to HD-SDI Conversion Box is a universal DVI-D / SDI (HD and SD) converter. It converts DVI-D to SDI (SD or HD digital YPbPr). It automatically detects the input scan rate and supports a wide variety of video formats including PAL, NTSC, 720p, 1080p, 1080i.

The DVI to HD-SDI Conversion Box is an easy to use plug-and-play box that allows the use of much lower priced DVI video sources for SD and HD pictures on SDI displays. Set-up and operation are easy as they should be. But to ensure that the images look good always, Gefen has focussed attention on the technical detail of the many facets of the conversion process.

- Accurate spatial interpolation for clear sharp rendition of static images
- Advanced de-interlace processing for clear, accurate output of moving images
- Temporal processing for smoother frame rate conversion
- Small size, low power consumption

The SDI output of the DVI to HD-SDI Conversion Box makes it a full featured scan converter that can take DVI-D and convert it to SD-SDI or HD-SDI based on an output selection. So you can convert from NTSC to PAL, from PAL to NTSC, from NTSC to 1080i, from RGB to 1080i, etc....

CONTENTS

The DVI to HD-SDI Conversion Box consists of:

- (1) DVI to HD-SDI Conversion Box
- (1) 6 foot DVI Cable (m-m)
- (1) RMT-4IR Remote Control
- (1) 5V DC Power Supply
- (1) User's Manual

OPERATION NOTES

On power up, the DVI to HD-SDI Conversion Box will automatically detect the input format of the input.

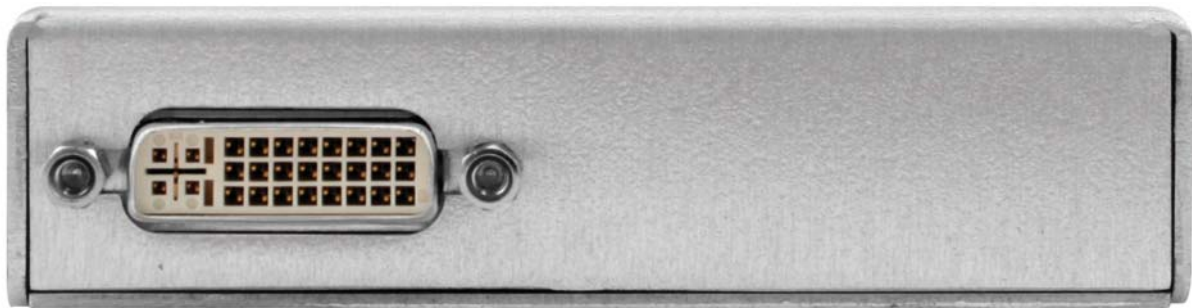
Resolution

The factory default is 720p-59.94. If your SDI monitor does not support that mode and cannot display a picture to allow you to use the OSD, you can cycle through the output mode according to the following table:

PAL -> NTSC -> 720p30 -> 720p59 -> 720p60 -> 1080i23 -> 1080i24 -> 1080i25 -> 1080i29 -> 1080i30 -> 1080p23 -> 1080p24 -> 1080p25 -> 1080p29 -> 1080p30

Button 4 on the remote cycles forward and button 3 in reverse

PANEL DESCRIPTIONS



DVI-D Input



5V Power Connector

RS-422 Uplink Port

HD-SDI Output

SUPPORTED INPUT/OUTPUT RESOLUTIONS

Supported Output Resolutions

The DVI to HD-SDI Conversion Box can output SD-SDI (NTSC or PAL) and HD-SDI (1080i, 1080p and 720p).

Supported Input Resolutions

Input	Resolution
DVI-D	All DVI-D interlaced and progressive scan formats up to 1920x1200

OSD and INFRARED REMOTE FUNCTIONS

The DVI to HD-SDI Conversion Box works with the Gefen RMT-4IR remote control.

Button 1 - Displays source and display information

Button 2 - Resets the Conversion Box to default settings (requires power cycle)

Button 3 - Cycles backwards through output resolutions

Button 4 - Cycles forward through output resolutions

* Both dip switches under the remote batter cover must be in the ON position to communicate with the conversion box

Restore I/O settings - Push down button 2 and then recycle power on the conversion box

RMT4-IR Installation

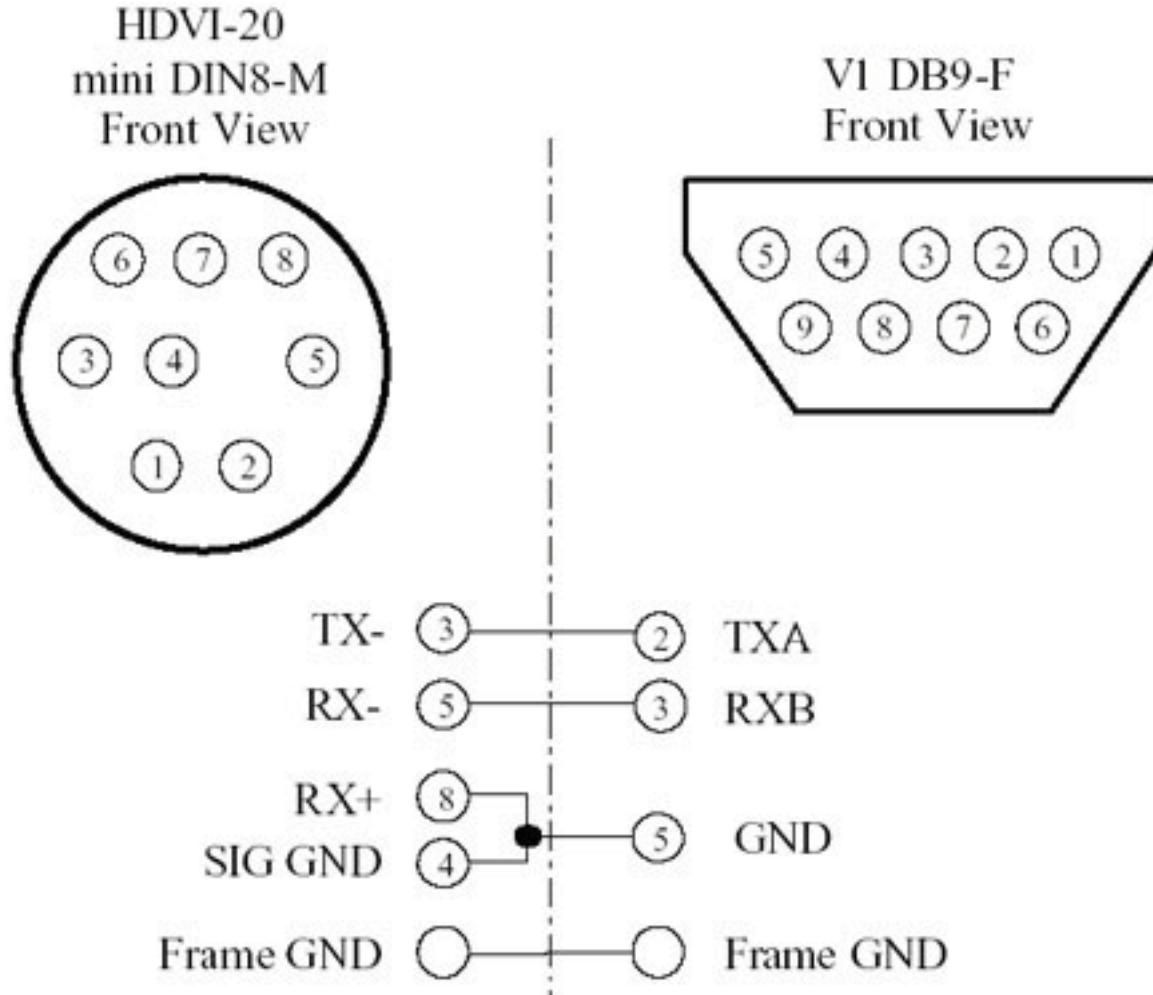
1. Remove battery cover from the back of the RMT4-IR remote.
2. Verify that dip switches 1 & 2 are in the up (ON) position.
3. Insert the battery, hold the battery so that you can see the positive side facing up. The side that is not marked must be facing down.
4. Test the RMT4-IR remote by pressing ONLY one button at a time. The indicator light on the remote will flash once each time you press a button. **WARNING:** Do not press multiple buttons simultaneously and do NOT press buttons rapidly. These actions will cause the remote to reset and steps 1-4 will have to be repeated.

Note: The RMT4-IR ships with two batteries. One battery is required for operation, the second battery is complimentary.



WIRING OF THE RS422-RS232 CABLE

The DVI to HD-SDI Conversion Box has an RS422 port that is used to upgrade the firmware of the unit. You can make the cable using the wiring diagram shown at the end of this document or purchase a cable form KK Systems.



Note: For a true RS422 connection, you can use an adapter made by KK Systems (Part Number K422-99). This adapter connects to the RS232 port on the PC and provides an RS422 connection on the other side. To connect the K422-99 to the DVI to HD-SDI Conversion Box, use a standard RS422 cable (Male DB9 to Male DB9 pin to pin). A true RS422 connection allows for a better connection and longer cables.

FIRMWARE UPDATE PROCEDURE

To upgrade the firmware of the DVI to HD-SDI Conversion Box, you need to have the DVI to HD-SDI Conversion Box RS422-PC cable. You also need to have the 3 files HDVI20.exe, HDVI-20_Uploader.bat and the HDVI-20 bin file (version 1.30 or higher, DO NOT USE ANY EARLIER VERSION) in your DOS directory. The DOS directory is the default directory when you launch the Command Prompt application under Windows.

1. Connect the DVI to HD-SDI Conversion Box RS422-PC cable to a COM port on your PC.
2. Connect the DVI to HD-SDI Conversion Box to a DVI monitor
3. Force the DVI to HD-SDI Conversion Box in flash mode by pressing and holding the TV/Video on your infrared remote until the picture becomes red.
4. Double click on the HDVI20_Uploader.bat icon and enter the serial port connected to the DVI to HD-SDI Conversion Box and hit ENTER
5. Enter the binary file name of the HDVI-20 bin file and hit ENTER
6. The screen will start showing you progress and it will quit after the upgrade is over.
7. Recycle power on the DVI to HD-SDI Conversion Box and go to the last menu and make sure the new firmware is installed.

SPECIFICATIONS

Input DVI-D up to 1920x1200 progressive scan and 1080i formats
Output SD-SDI SMPTE 259M, HD-SDI SMPTE 292M and 720p-50
Power Supply 5V DC
Power Consumption 10 watts (max)
Dimensions 5.5"W x 1"H x 3.75"D
Shipping Weight 5 lbs.

WARRANTY

Gefen Inc. warrants the equipment it manufactures to be free from defects in material and workmanship.

If equipment fails because of such defects and Gefen Inc. is notified within one (1) year from the date of shipment, Gefen System will, at its option, repair or replace the equipment, provided that the equipment has not been subjected to mechanical, electrical or other abuse or modifications.

Equipment that fails under conditions other than those covered will be repaired at the current price of parts and labor in effect at the time of repair. Such repairs are warranted for ninety (90) days from the day of shipment to the Buyer.

This warranty is in lieu of all other warranties expressed or implied, including without limitation, any implied warranty or merchantability or fitness for any particular purpose, all of which are expressly disclaimed.

The information in this manual has been carefully checked and is believed to be accurate. However, Gefen Inc. assumes no responsibility for any inaccuracies that may be contained in this manual. In no event will Gefen Inc., be liable for direct, indirect, special, incidental, or consequential damages resulting from any defect or omission in this manual, even if advised of the possibility of such damages. The technical information contained herein regarding the DVI to HD-SDI Conversion Box features and specifications is subject to change without notice.