



CAT5 • 9000HD-NI
USER MANUAL

ASKING FOR ASSISTANCE

Technical Support:

Telephone (818) 772-9100
(800) 545-6900
Fax (818) 772-9120

Technical Support Hours:

8:00 AM to 5:00 PM Monday thru Friday.

Write To:

Gefen Inc.
c/o Customer Service
20600 Nordhoff Street
Chatsworth, CA 91311

www.gefen.com
support@gefen.com

Notice

Gefen Inc. reserves the right to make changes in the hardware, packaging and any accompanying documentation without prior written notice.

CAT5•9000HD-NI is a trademark of Gefen Inc.

TABLE OF CONTENTS

1	INTRODUCTION
2	OPERATION NOTES
3	CAT5•9000HD FRONT PANEL DESCRIPTIONS
4	CAT5•9000HDS BACK PANEL LAYOUT
5	CAT5•9000HDS BACK PANEL DESCRIPTIONS
6	CAT5•9000HDR BACK PANEL LAYOUT
7	CAT5•9000HDR BACK PANEL DESCRIPTIONS
8	CAT5 WIRING DIAGRAM
9	WIRING DIAGRAM
10	SPECIFICATIONS
11	WARRANTY

INTRODUCTION

Thank you for purchasing the new extend•it CAT5•9000HD series by Gefen, Inc.

The extend•it CAT5•9000HD by Gefen allows users the benefits of extending DVI, PS/2, RS232, and audio signals beyond the desktop. In a growing number of applications, broadcast stations and production facilities there is a need to locate a computer remotely from the keyboard, mouse, and video monitor. A CPU may need to be shared between several users, for example, or moved to another room because of annoying fan noise.

The CAT5•9000HD series can be used to extend computers with noisy fans, printers, and hard drives. With the potential to cover the distance of 150 feet, industry standard Category 5 (CAT-5) cables are used for the extension of all the devices. One can connect additional CAT5•9000HD series to the same computer, allowing access to the same computer from other locations up to 150 feet apart.

CONTENTS

The CAT5•9000HD system consists of:

- (1) CAT5•9000HDS sender unit
- (1) CAT5•9000HDR receiver unit
- (2) 5VDC power supply
- (1) DVI to HDMI cable (6FT)
- (2) PS/2 cable (6FT)
- (1) Audio cables (6FT)
- (1) User Manual

HOW IT WORKS

In its most basic application, the CAT5•9000HDS sender unit resides next to the computer. Supplied with the system, DVI, PS/2, and audio cables connect the computer to the CAT5•9000HDS sender unit.

The CAT5•9000HDR receiver unit are placed next to the monitors and keyboard, mouse, speakers, and RS232 devices, at the remote location. The monitor, keyboard, mouse, and other devices are connected to the CAT5•9000HDR similar to the way they are connected to the back of the computer (PC or Macintosh).

OPERATION NOTES

READ THESE NOTES BEFORE INSTALLING OR OPERATING THE CAT5•9000HD SYSTEM

- Use industry standard Category-5 (CAT-5) cable to operate the CAT5•9000HD system. CAT-5 E cable is preferred.
- Two CAT-5 cables are required to extend each DVI or HDMI Video signal
- Please connect all the cables between the computer and the CAT5•9000HDS before power up the CAT5•9000HDS unit.
- The CAT5•9000HD units are housed in a metal box for better RF shielding.

CAT5•9000HDS FRONT PANEL DESCRIPTIONS



|
1

Front Panel Function Description

- 1 **POWER ON INDICATOR** - Indicates that the unit is plugged in and powered on

CAT5•9000HDR FRONT PANEL DESCRIPTIONS

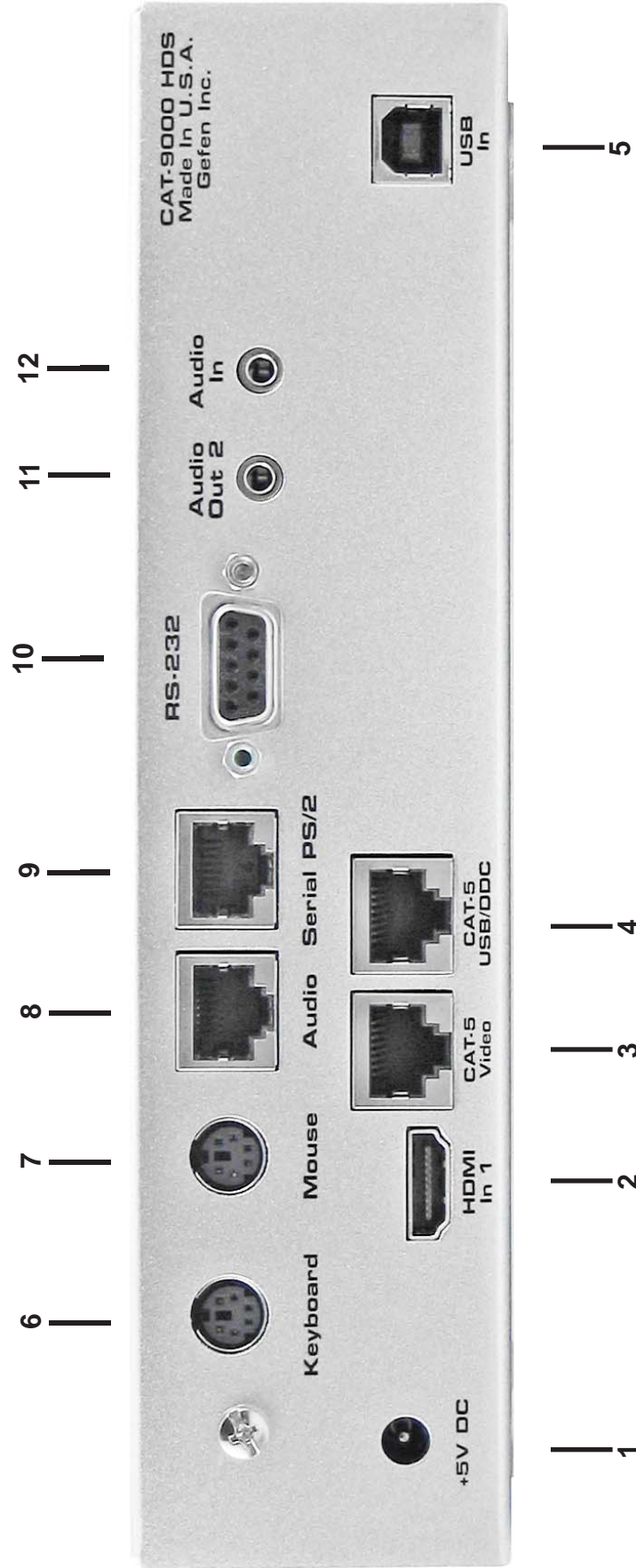


|
1

Front Panel Function Description

- 1 **POWER ON INDICATOR** - Indicates that the unit is plugged in and powered on

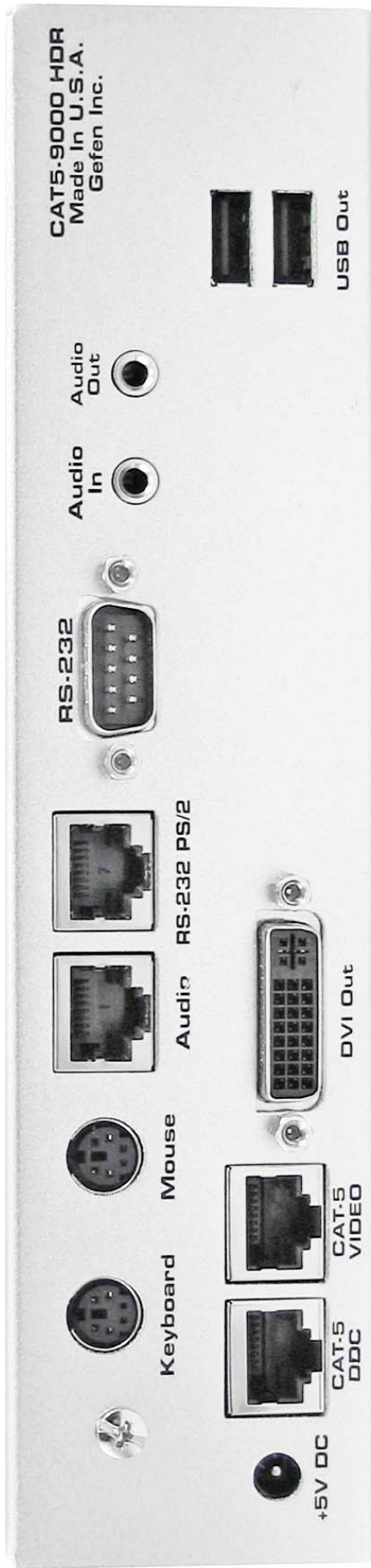
CAT5-9000HDS BACK PANEL LAYOUT



CAT5•9000HDS BACK PANEL DESCRIPTIONS

- 1 **POWER** - 5 VDC external power supply
- 2 **HDMI in 1** - HDMI Input connects to your computer with the supplied DVI to HDMI cable
- 3 **CAT5 Video 1** - RJ-45 input extends HDMI input 1 with CAT-5 cable
- 4 **CAT5 USB/DDC1** - RJ-45 input extends USB and DDC1 signals with CAT-5 cable
- 5 **USB IN** - Not Used
- 6 **KEYBOARD** - Mini din PS/2 connector connects to PC for keyboard controls
- 7 **MOUSE** - Mini din PS/2 connector connects to PC for mouse controls
- 8 **CAT-5 AUD** - RJ-45 input extends audio out and audio 2 with CAT-5 cable
- 9 **CAT-5 SERIAL/PS-2-** RJ-45 input extends RS232, and PS/2 keyboard and mouse with CAT-5 cable
- 10 **RS232** - DB-9 input from computer
- 11 **AUDIO OUT 2** - Audio Mini Jack input from computer
- 12 **AUDIO IN** - Audio Mini Jack input from computer

CAT5-9000HDR BACK PANEL LAYOUT



CAT5•9000HDR BACK PANEL DESCRIPTIONS

- 1 **POWER** - 5 VDC external power supply
- 2 **CAT5 USB/DDC1** - RJ-45 input extends USB and DDC1 signals with CAT-5 cable
- 3 **CAT5 Video 1** - RJ-45 input extends video input 1 with CAT-5 cable
- 4 **DVI OUT 1** - DVI output connects to the monitor 1 for local video
- 5 **USB Out** - Not Used
- 6 **KEYBOARD** - PS/2 output connects to the keyboard
- 7 **MOUSE** - PS/2 output connects to the mouse
- 8 **CAT-5 AUDIO** - RJ-45 input connects CAT-5 cable to receive extended audio in and audio 2 signals
- 9 **CAT-5 SERIAL PS/2** - RJ-45 input connects CAT-5 cable to receive extended RS-232 and PS/2 signals
- 10 **RS232** - DB-9 connector connects to RS-232 devices
- 11 **AUDIO IN** - Audio mini jack connects to microphone
- 12 **AUDIO OUT** - Audio mini jack connects to speakers

RJ-45 Jack



White/Orange

Orange

White/Green

Blue

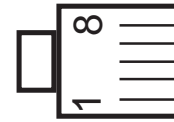
White/Blue

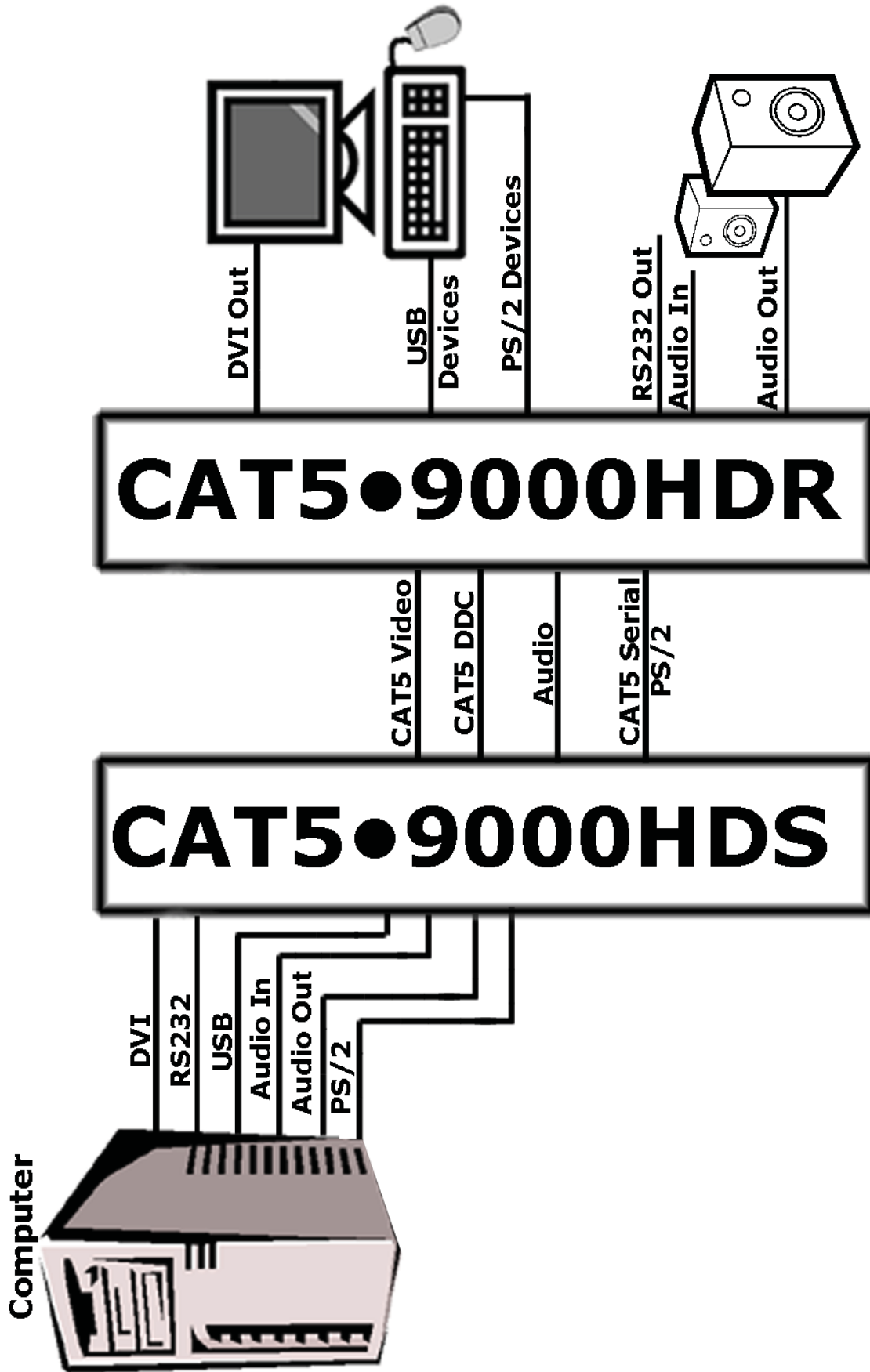
Green

White/Brown

Brown

RJ-45 Jack





SPECIFICATIONS

Video Amplifier Bandwidth	1.65 Gbps
Input Video Signal.....	1.2 volts p-p
Input DDC Signal	5 volts p-p (TTL)
Single Link Range	1920 x 1200 x 60hz
DVI Output Connector Type	DVI-I (29 pin) female (digital only)
HDMI Input Connector Type	HDMI type A 19 pin female
Link Connector	RJ-45
PS/2 Keyboard Connector	8 Pin MiniDin
PS/2 Mouse Connector	8 Pin MiniDin
RS232 Connector	DB-9
Power Consumption	15 Watts (max.)
Power Supply	5VDC (External)
Dimensions	8.4"W x 1.75"H x 4.4"D
Shipping Weight	7 lbs.

WARRANTY

Gefen Inc. warrants the equipment it manufactures to be free from defects in material and workmanship.

If equipment fails because of such defects and Gefen Inc. is notified within one (1) year from the date of shipment, Gefen System will, at its option, repair or replace the equipment, provided that the equipment has not been subjected to mechanical, electrical or other abuse or modifications.

Equipment that fails under conditions other than those covered will be repaired at the current price of parts and labor in effect at the time of repair. Such repairs are warranted for ninety (90) days from the day of shipment to the Buyer.

This warranty is in lieu of all other warranties expressed or implied, including without limitation, any implied warranty or merchantability or fitness for any particular purpose, all of which are expressly disclaimed.

The information in this manual has been carefully checked and is believed to be accurate. However, Gefen Inc. assumes no responsibility for any inaccuracies that may be contained in this manual. In no event will Gefen Inc., be liable for direct, indirect, special, incidental, or consequential damages resulting from any defect or omission in this manual, even if advised of the possibility of such damages. The technical information contained herein regarding CAT5•9000HD features and specifications is subject to change without notice.