

ASKING FOR ASSISTANCE

Technical Support:

Telephone (818)772-9100
(800) 545-6900

Fax (818)772-9120

Technical Support Hours:

8:00 AM to 5:00 PM Monday through Friday PST

Write To:

Gefen Inc.
c/o Customer Service
20600 Nordhoff Street
Chatsworth CA 91311 U.S.A.

www.gefen.com -- support@gefen.com

Notice

Gefen Inc. reserves the right to make changes in the hardware, packaging and any accompanying documentation without prior written notice.

The HD-SDI to DVI Conversion Box is a trademark of Gefen Inc.

TABLE OF CONTENTS

- 1** Introduction
- 2** Operation Notes
- 3** Panel Descriptions
- 4** Supported Input/Output Resolutions/OSD and Infrared Remote Functions
- 5** OSD and Infrared Remote Functions
- 6** OSD and Infrared Remote Functions
- 7** Wiring of the RS422-RS232 Cable
- 8** Recommended LCD Monitors
- 9** Firmware Update Procedure
- 10** Specifications
- 11** Warranty

INTRODUCTION

The HD-SDI to DVI Conversion Box is a compact digital video interface that converts HD-SDI, SDI, DVI-D, and DVI-A (Analog RGB) to DVI-D (digital RGB). It automatically detects the input scan rate and supports a wide variety of video formats including PAL, NTSC, 720p, 1080i, 1080p.

The HD-SDI to DVI Conversion Box can be connected to computer LCD monitors, HDTV Televisions with 720p, or 1080p, video projectors and displays (Plasma, DLP, D-ILA, etc.).

CONTENTS

The HD-SDI to DVI Conversion Box consists of:

- (1) HD-SDI to DVI Conversion Box
- (1) 5VDC Power Supply
- (1) User's Manual

OPERATION NOTES

On power up, the HD-SDI to DVI Conversion Box will automatically detect the input format of the selected input and will send a message to the monitor connected via DVI requesting its EDID. The EDID parameters of the connected monitor will be used by the HD-SDI to DVI Conversion Box to determine its output resolution.

The Conversion Box's DVI-D output has 2 major controls: Resolution and Frequency.
Resolution: Can be set to Auto (default) or forced to 1280x720, 1280x1024, 1920x1080 or 1920x1200
Frequency: Can be set to 60Hz (default) or forced to Frame Sync.

Resolution

1. The output resolution will be set to match the monitor up to 1920x1200.

•If the EDID response of the monitor is not recognized or higher than 1920x1200, the Conversion Box will default to 1280x1024. If the monitor doesn't support 1280x1024, the output resolution can be forced using the infrared remote control and without the On Screen Display (OSD) interface by using the TV/Video + Number combination according to the following table:

- o TV/Video + 0 => Auto Mode
- o TV/Video + 1 => 800x600
- o TV/Video + 2 => 1024x768
- o TV/Video + 3 => 1280x720
- o TV/Video + 4 => 1280x768
- o TV/Video + 5 => 1280x1024
- o TV/Video + 6 => 1400x1050
- o TV/Video + 7 => 1600x1200
- o TV/Video + 8 => 1920x1080
- o TV/Video + 9 => 1920x1200

•If the EDID reports 1920x1080 interlaced, the unit will default to output 480p. The 480p output should only be used to access the OSD and force the output mode to 720p if the TV supports it.

Frequency

The default frequency is 60Hz because it works with all displays. If your display supports lower frequencies and if your input source is running at 24/48, 25/50 Frames/Fields per second, you can avoid motion artifacts by forcing the output frequency to Frame Sync.

PANEL DESCRIPTIONS



SUPPORTED INPUT/OUTPUT RESOLUTIONS

Supported Output Resolutions

The HD-SDI to DVI Conversion Box supports all progressive scan resolutions up to 1920x1200; it does not support interlaced or 480p outputs.

Supported Input Resolutions

Input	Resolution
HD-SDI	All HD formats, NTSC, PAL, 2K-psf , 2K-p and 720p-50
SD-SDI	NTSC, PAL
DVI-D	All DVI-D interlaced and progressive scan formats up to 1920x1200
DVI-A	All DVI-A RGB analog formats up to 1920x1200

OSD and INFRARED REMOTE FUNCTIONS

By default controls are unlocked. To lock press, "MUTING" for 4 seconds. The same process can be used to unlock the IR controls. The lock state of the HD-SDI to DVI Conversion Box is saved even if the unit is turned off.

To access the OSD menu, press "RECALL". The OSD will display six icons:

From left to right, these Icons represent:

Input Source Selection | Picture Settings | OSD Settings | Input Settings | Output Settings | Miscellaneous.

To navigate through the menus, use the 2,8,4,6 button on your remote as Up, Down, Left, Right. The table below explains all remote functions in both cases: On-screen display (OSD) ON or OFF.

OSD OFF

Type, Remote Control Key, Function

- Input Select, CH +, Switch between HD-SDI, SDI, DVI-D, DVI-A
- Freeze picture, VOL -, Freeze/unfreeze the output displayRelock Input 1 Relock the output. Use in case the picture is not stable.
- Toggle IR lock, Press and hold MUTING for 4 seconds, Lock/unlock IR.
- Power, Press and hold POWER for 4 seconds, Restore HSDI in settings (need to reboot after.) and EDID detect mode.
- *Force Flash Mode, Press and hold TV/VIDEO for 4 seconds, Displays a red screen to indicate that the unit is in flash mode and ready to be upgraded.
- *Menu Access, RECALL, Access the menu system
- *Force Output Mode, TV/Video + Number Key, Force the DVI-D to a specific resolution

OSD ON

Type, Remote Control Key, Function

- Up, 2, Navigate up
- Down, 8, Navigate down
- Left, 4, Navigate left
- Right, 6, Navigate Right
- Exit, 0, Exit submenu and menu
- Select, ENTER or 5, Activate the selection

OSD and INFRARED REMOTE FUNCTIONS

Input Source Selection

When OSD is on, select IN and use the 2,4,6,8 keys to select the desired input then hit 5 or ENTER When OSD is off you can use the CH + key to change the input source.

Picture Settings

DISPLAY Access to: Brightness, Contrast, Hue, Saturation and Flesh Tone settings

IMAGE Access to: Scaling, Adaptive De-interlacing, Noise Reduction, Auto Filtering, Film Mode Detect and Sharpness settings

POSITION Access to: Horizontal and Vertical position settings

COLOR Access to: sRGB, Gamma Correction, Color Temperature, Red, Green and Blue settings

OSD Settings

Sets the on-screen display's position, size, etc.

Inputs Settings

Selects RGB or YPbPr (default) for the HD-SDI input.

Output Settings

DVI Resolution	-Auto (default): Use with all monitors up to 1920x1200. If the monitor reports a bad or unsupported resolution, the HD-SDI to DVI Conversion Box will default to 1280x1024. In the case where this same monitor does not support 1280x1024, the output resolution can be forced using the infrared remote control and without the OSD interface by using the TV/Video + Number combination (see paragraph 3.1) -1280x768, 1280x1024, 1920x1080 and 1920x1200
DVI Frequency	-60Hz: This is the default mode, it should work with all displays 1920x1200 or below -Frame Sync: Eliminate motion artifacts for formats other than 30/60 Hz All 24 and 48 FPS formats will be displayed at 48Hz All 25 and 50 FPS formats will be displayed at 50Hz All 29.97 (30) and 59.94 (60) FPS formats will be displayed at 59.94Hz (60Hz)
Pattern Mode	-Off: Output based on the input source selected -Toggle: Hitting ENTER will toggle between the 4 internal test patterns, color bars, cable equalizer, PLL and black
H Sync Width	This setting is normally detected from the EDID message. If for any reason the EDID is wrong, these settings can be manually adjusted. Pressing ENTER twice will restore the default value
V Sync Width	Same note as for H Sync Width
H Back Porch	Same note as for H Sync Width
V Back Porch	Same note as for H Sync Width

Miscellaneous Menu

This menu can be used to reset the factory default settings of the unit. It also displays the Monitor's native resolution, the current DVI output resolution, the current DVI output frequency, the infrared remote control status, the current input and the firmware version. The reset function in this menu is different from the reset state you get after holding the POWER button for 4 seconds, which only resets the SDI and HD-SDI input settings.

Troubleshooting

If the Conversion Box does not output video to your monitor, try to reset the factory defaults by holding the POWER button on your IR remote for about 4 seconds, then power cycle the Conversion Box.

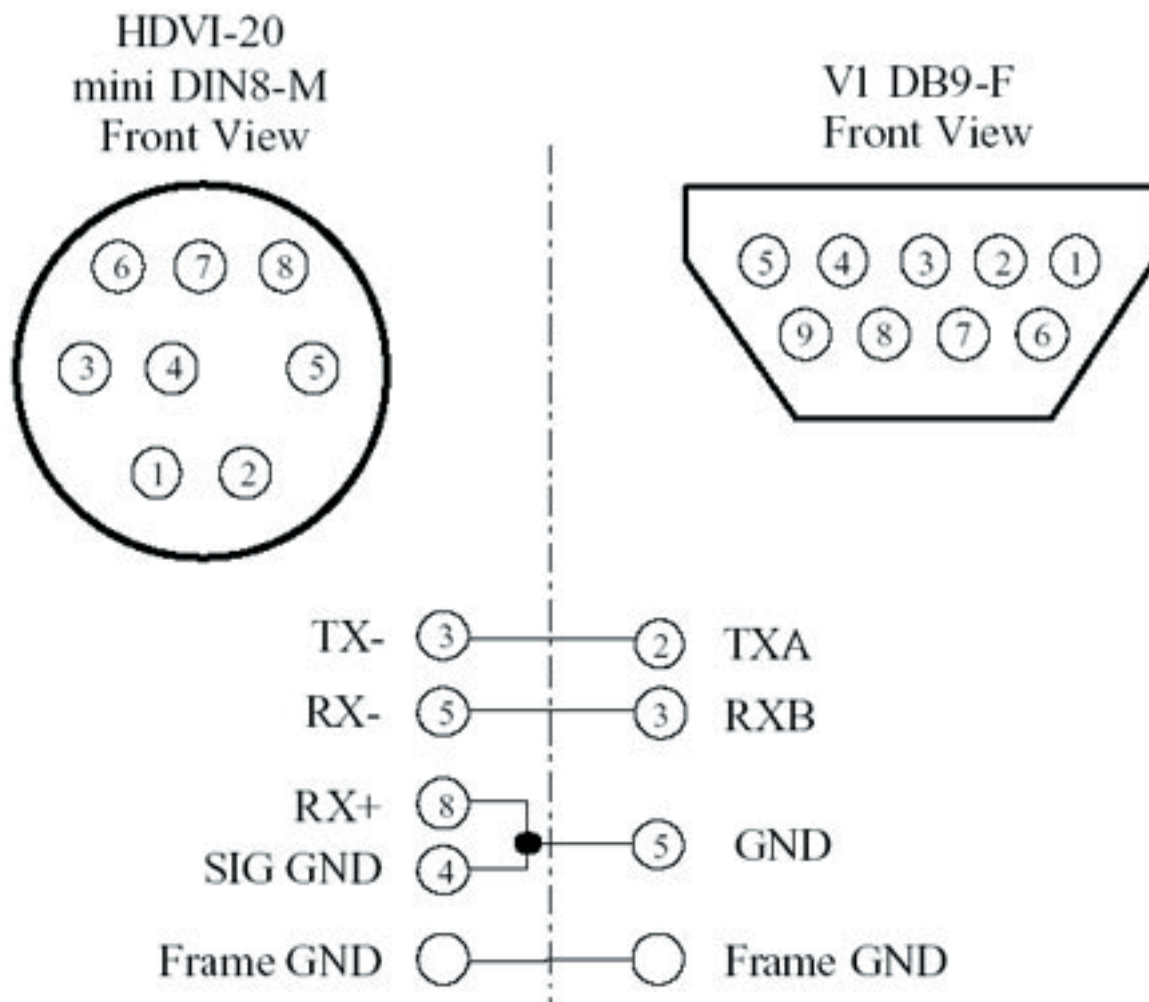
You can also try the TV/Video + Number combination to force the DVI output to a resolution supported by your monitor.

WIRING OF THE RS422-RS232 CABLE

The HD-SDI to DVI Conversion Box has an RS422 port that can be used to view the current settings of the unit. To connect the RS422 port to a PC you need a special RS422-RS232 cable that can be purchased from Gefen by contacting support@gefen.com. You can also make the cable using the wiring diagram shown at the end of this document.

- Connect COM1 of the PC to the HD-SDI to DVI Conversion Box using the RS422-RS232 cable
- Run HyperTerminal on your PC and make a direct connection on COM1
- Connection Properties should be set to: 38400 Bauds, 8 Data Bits, Odd Parity, 1 Stop Bit, and None Flow Control.

When you power up the HD-SDI to DVI Conversion Box, plug or unplug the HD-SDI, SDI or DVI input or DVI output. Messages will be displayed in the HyperTerminal window indicating the input and output formats as well as the native monitor resolution reported by the EDID message.



Note: For a true RS422 connection, you can use an adapter made by KK Systems (Part Number K422-99). This adapter connects to the RS232 port on the PC and provides an RS422 connection on the other side. To connect the K422-99 to the HD-SDI to DVI Conversion Box, use a standard RS422 cable (Male DB9 to Male DB9 pin to pin). A true RS422 connection allows for a better connection and longer cables.

RECOMMENDED LCD MONITORS

All LCD monitors that support the resolutions listed in this document would work properly with the HD-SDI to DVI Conversion Box.

For best motion performance in 720p application (most demanding), we recommend using displays with a response time of 16ms or less.

Note about the Viewsonic VP2290b

Because the VP2290b is a 3840x2400 monitor the HD-SDI to DVI Conversion Box output must be forced to 1920x1200. This monitor supports Frame Sync and can be operated at frequencies as low as 24Hz. In addition this monitor is pre-adjusted according to ITU-709 to be used as a high def. reference monitor. The combination of the HD-SDI to DVI Conversion Box with the VP2290b creates a low cost reference monitor that competes with CRT reference monitors that are priced over \$30,000 US Dollars.

Note about the Apple Cinema Displays

All Apple cinema displays are supported by the HD-SDI to DVI Conversion Box except for the 30". The Apple displays support 60Hz frequency only. Frame Sync Mode should not be set with these monitors; the HD-SDI to DVI Conversion Box will display all input resolutions at 60Hz. Note that Apple Cinema displays with the ADC connector will need a DVI to ADC converter.

FIRMWARE UPDATE PROCEDURE

To upgrade the firmware of the HD-SDI to DVI Conversion Box, you need to have the HD-SDI to DVI Conversion Box RS422-PC cable. You also need to have the 3 files HDVI20.exe, HD-SDI to DVI Conversion Box_Uploader.bat and the HD-SDI to DVI Conversion Box bin file in your DOS directory. The DOS directory is the default directory when you launch the Command Prompt application under Windows.

1. Connect the HD-SDI to DVI Conversion Box RS422-PC cable to a COM port on your PC
2. Connect the HD-SDI to DVI Conversion Box to a DVI monitor
3. Force the HD-SDI to DVI Conversion Box in flash mode by pressing and holding the TV/Video on your infrared remote until the picture becomes red.
4. Double click on the HDVI20_Uploader.bat icon and enter the serial port connected to the HD-SDI to DVI Conversion Box and hit ENTER
5. Enter the binary file name of the HD-SDI to DVI Conversion Box bin file and hit ENTER
6. The screen will start showing you progress and it will quit after the upgrade is over.
7. Recycle power on the HD-SDI to DVI Conversion Box and go to the last menu and make sure the new firmware is installed.

SPECIFICATIONS

INPUT

SMPTE 259M-C (270Mbps) and SMPTE 292M (1.485, 1.485/1.001 Gbps)
NTSC, PAL,
720p @ 60, 59.94 and 50Hz
1080p @ 30, 29.97, 25, 24 & 23.98Hz,
1080i @ 60, 59.94, 50, 48 & 47.95Hz
2K-p & 2K-psf @ 23.98 & 24Hz (2048x1080)

OUTPUT

DVI (Digital RGB) and DVI-HDTV (Digital RGB with HDTV resolution/frame rate) up to 1920x1200 progressive scan formats only. Interlaced and 480p outputs not supported.
Connector: DVI-D, Female, compliant to DVI 1.0

SUPPORTED MONITORS

Depending on your DVI monitor's resolution, the HDVI will either scale the video to fit your screen, or output the video without scaling.

GENERAL

Size: Prox. 1 1/8th x 3 3/4 x 5 1/2 (28mm x 95mm x 14mm)
Power: External Power Adapter with a locking power connector

WARRANTY

Gefen Inc. warrants the equipment it manufactures to be free from defects in material and workmanship.

If equipment fails because of such defects and Gefen Inc. is notified within one (1) year from the date of shipment, Gefen System will, at its option, repair or replace the equipment, provided that the equipment has not been subjected to mechanical, electrical or other abuse or modifications.

Equipment that fails under conditions other than those covered will be repaired at the current price of parts and labor in effect at the time of repair. Such repairs are warranted for ninety (90) days from the day of shipment to the Buyer.

This warranty is in lieu of all other warranties expressed or implied, including without limitation, any implied warranty or merchantability or fitness for any particular purpose, all of which are expressly disclaimed.

The information in this manual has been carefully checked and is believed to be accurate. However, Gefen Inc. assumes no responsibility for any inaccuracies that may be contained in this manual. In no event will Gefen Inc., be liable for direct, indirect, special, incidental, or consequential damages resulting from any defect or omission in this manual, even if advised of the possibility of such damages. The technical information contained herein regarding the HD-SDI to DVI Conversion Box features and specifications is subject to change without notice.